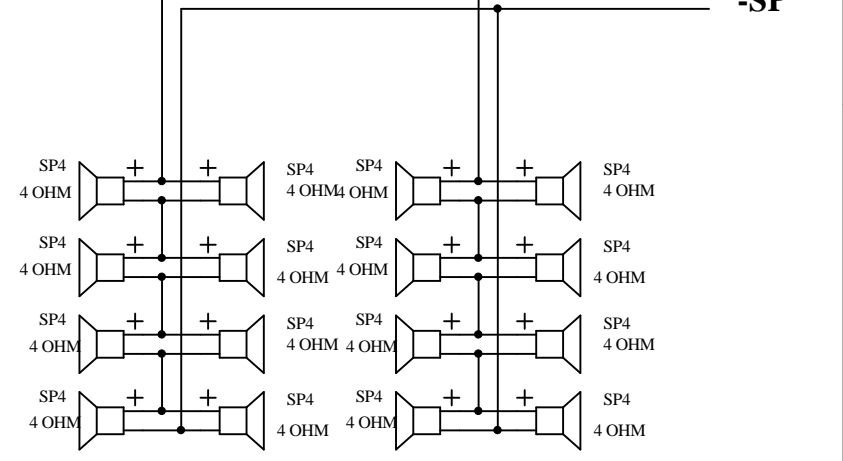
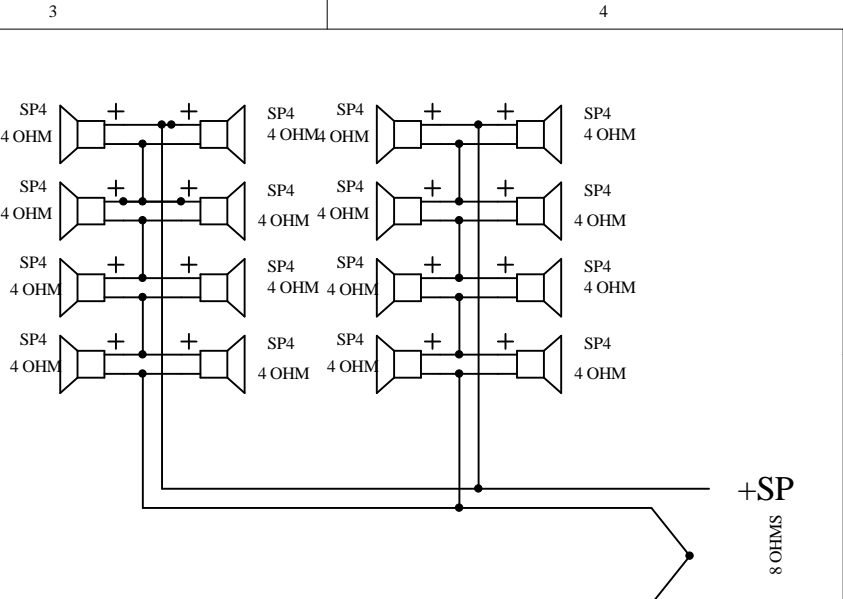


SPEAKER EQUIVALENT CIRCUITS WITH VOLUME CONTROL AND INTEGRAL SWITCH (OPTIONAL)
 NOTE: SWITCH SW1 IS O/C WHEN VR1 FULLY CCW. THIS IS SO SPEAKER CAN BE COMPLETELY SILENT.

NOTE: WIRED IMPEDIANCE 8 OHMS TOTAL
 1/ PICK CLOSEST CONFIGURATION- IF ODD NUMBER OF SPEAKERS THAN FIT RESISTOR 3R9 5 WATT RESISTOR TO REPLACE MISSING SPEAKER.
 2/ ENSURE THAT WIRING DOES NOT GO TO EARTH (BUS CHASSISS) IE. OPEN CIRCUIT
 3/ CHECK WITH METER THAT TOTAL RESISTANCE IS 8 OHMS +/- 2 OHMS
 4/ IF INDIVIDUAL VOLUME CONTROL IS NEEDED CCT1 CAN BE SUBSTITUTED FOR 4 OHM SPEAKER



Title		
4 OHM SPEAKER CONFIG FOR 8 OHM TOTAL		
Size	Number	Revision
A4		
Date:	13-Jun-2014	Sheet of
File:	W:\PROJECTS\...\SPK4R3.SCH	Drawn By: